



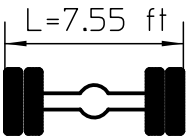
16tm/tmE

HOISTING CAPACITIES L= 7.55 ft

STANDARD COUNTERWEIGHT

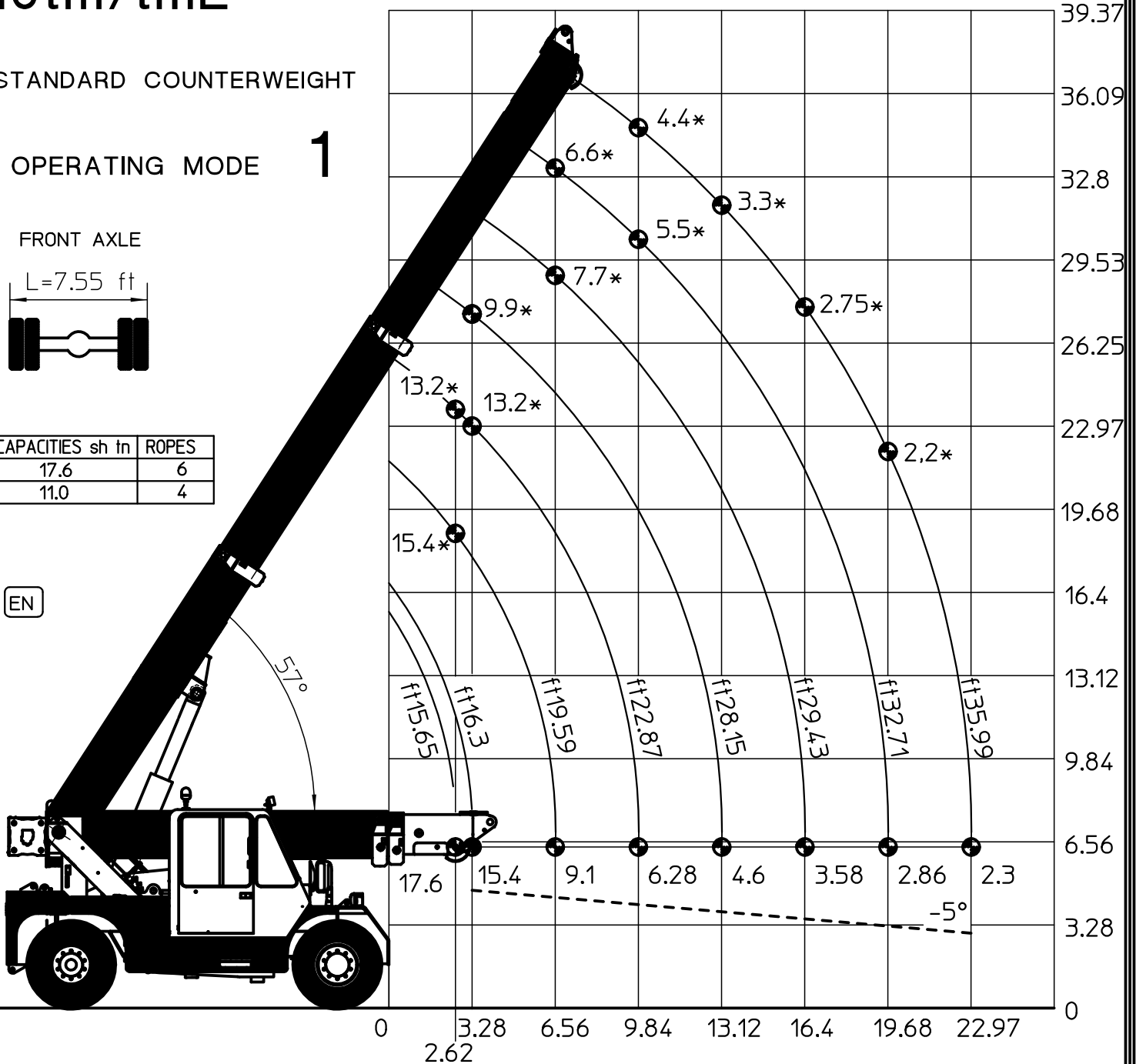
OPERATING MODE **1**

FRONT AXLE



CAPACITIES sh tn	ROPES
17.6	6
11.0	4

EN



* Capacities determined by factors other than overturn