



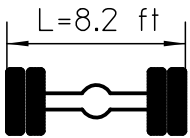
# 16tm/tmE

HOISTING CAPACITIES L= 8.2 ft

STANDARD COUNTERWEIGHT

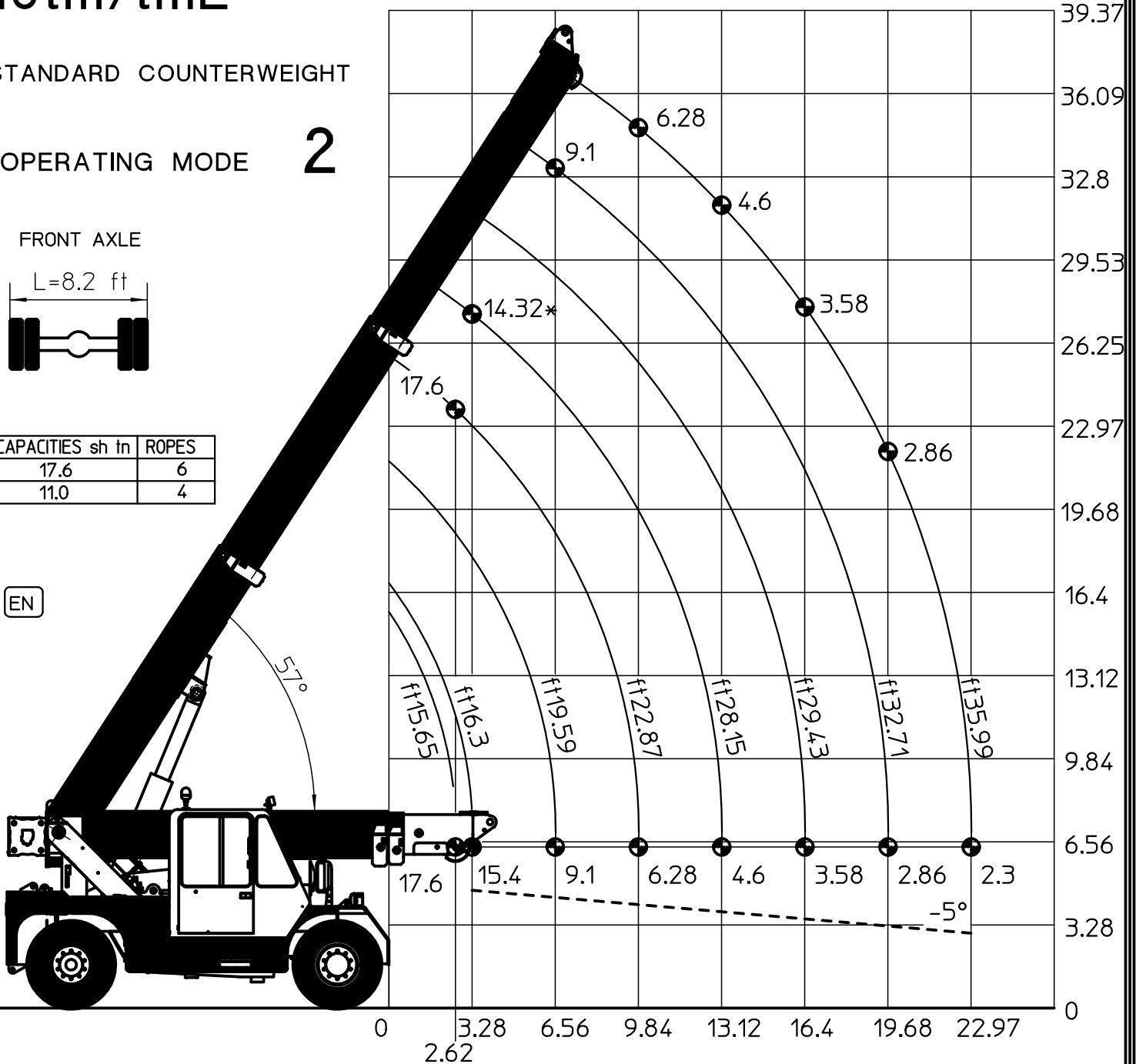
OPERATING MODE **2**

FRONT AXLE



CAPACITIES sh tn	ROPES
17.6	6
11.0	4

EN



\* Capacities determined by factors other than overturn