



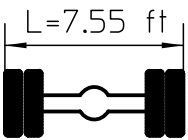
# 16tm/tmE

HOISTING CAPACITIES L= 7.55 ft

EXTRA COUNTERWEIGHT

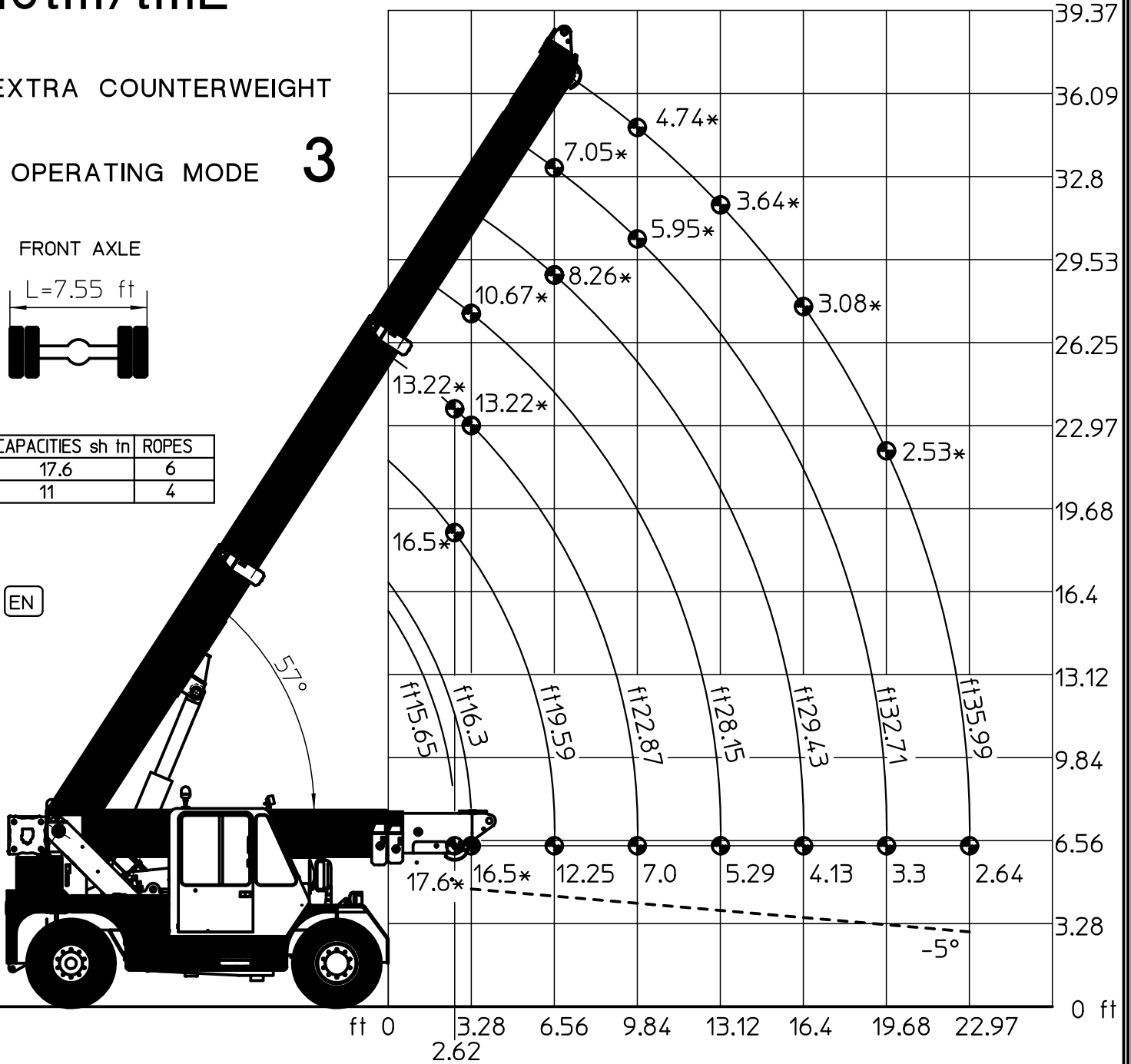
OPERATING MODE **3**

FRONT AXLE



CAPACITIES sh tn	ROPES
17.6	6
11	4

EN



\* Capacities determined by factors other than overturn