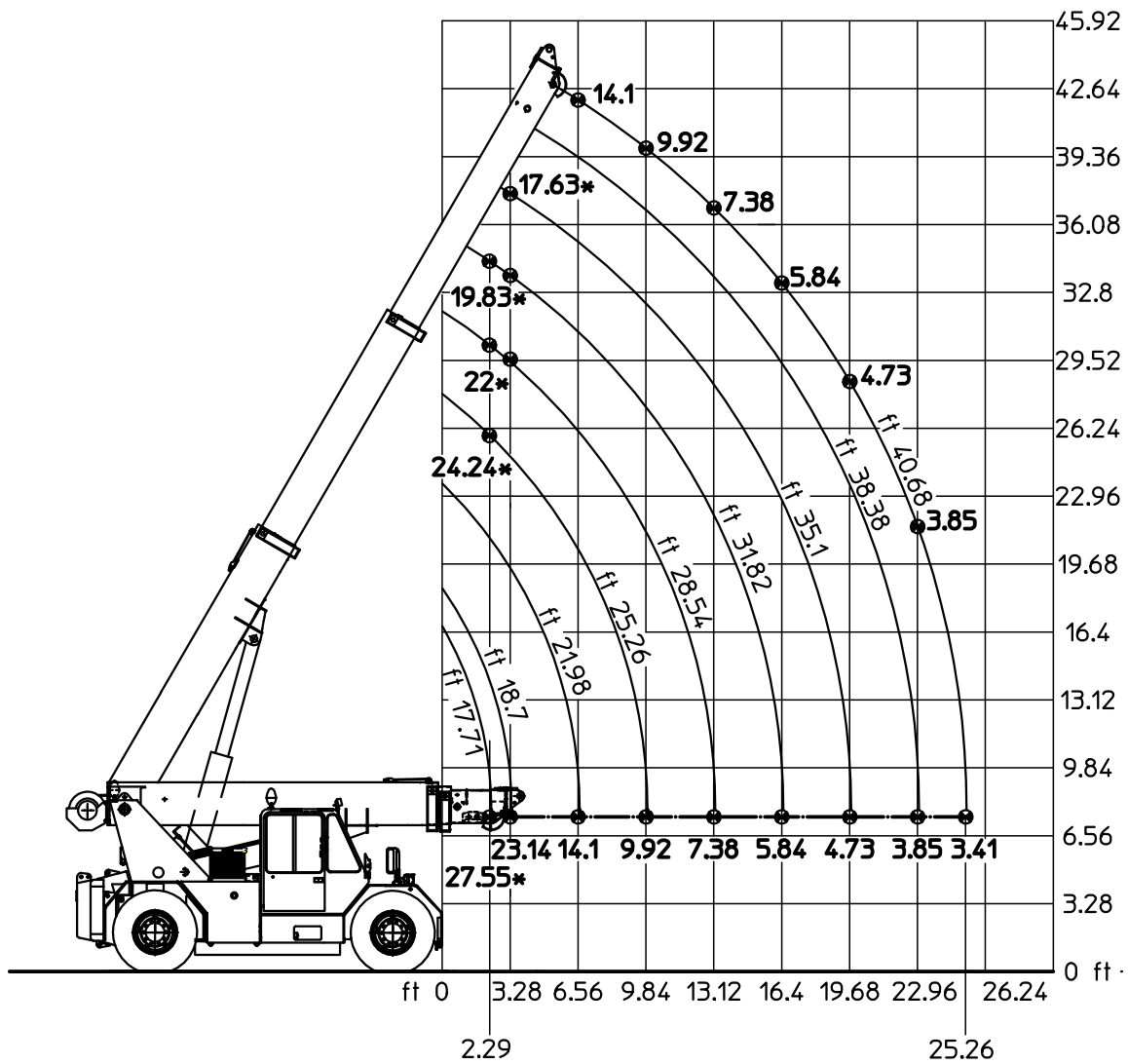


20/25tm HOISTING CAPACITIES STANDARD + AUXILIARY COUNTERWEIGHT

CAPACITIES sh tn	Nr ROPES
27.55 - 20.66	8
20.66	6

EN



* Capacities determined by factors other than overturn