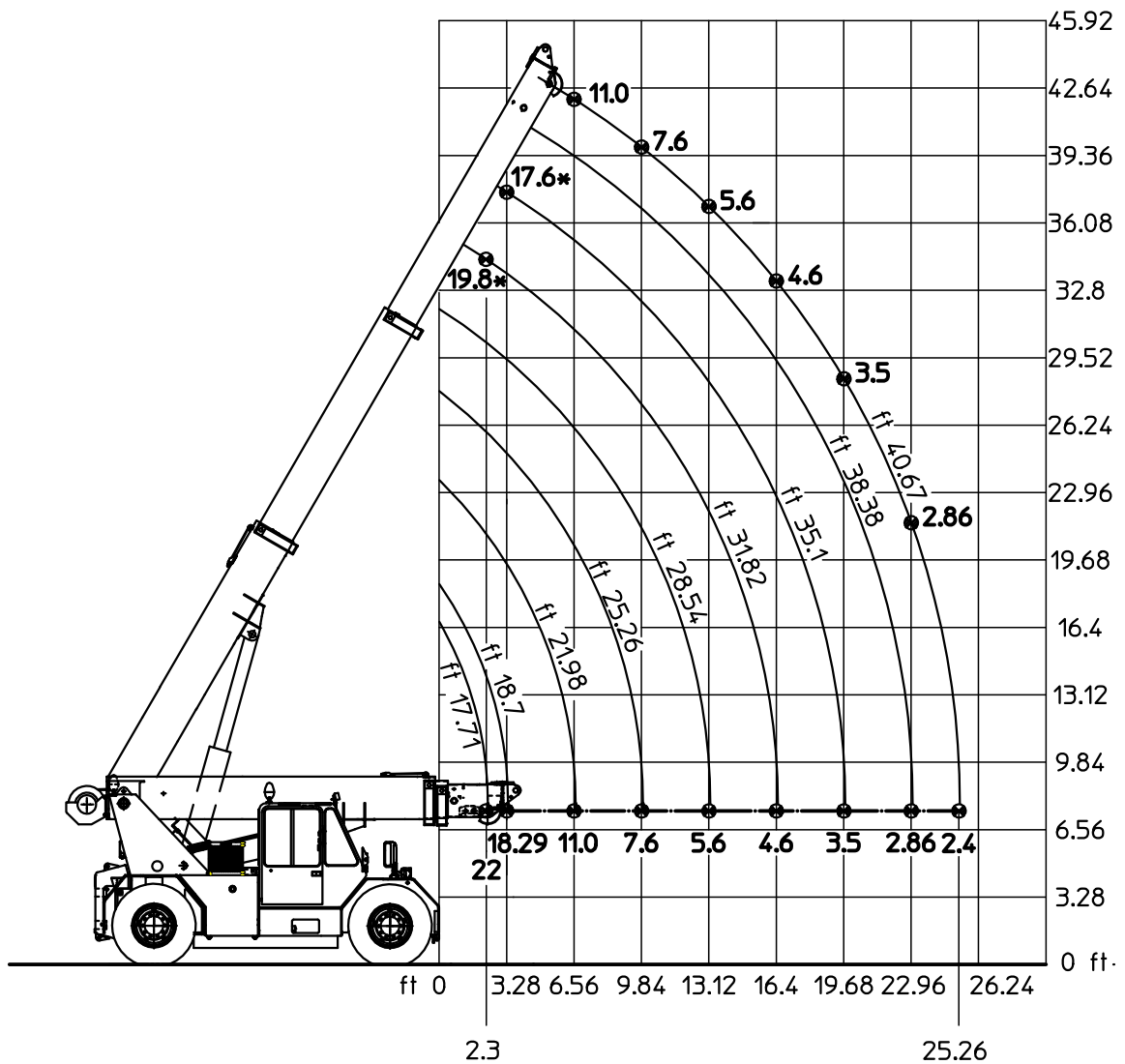


20/25 tm HOISTING CAPACITIES STANDARD COUNTERWEIGHT

CAPACITIES sh tn	Nr ROPES
22.0 - 20.66	8
20.66	6

EN



* Capacities determined by factors other than overturn