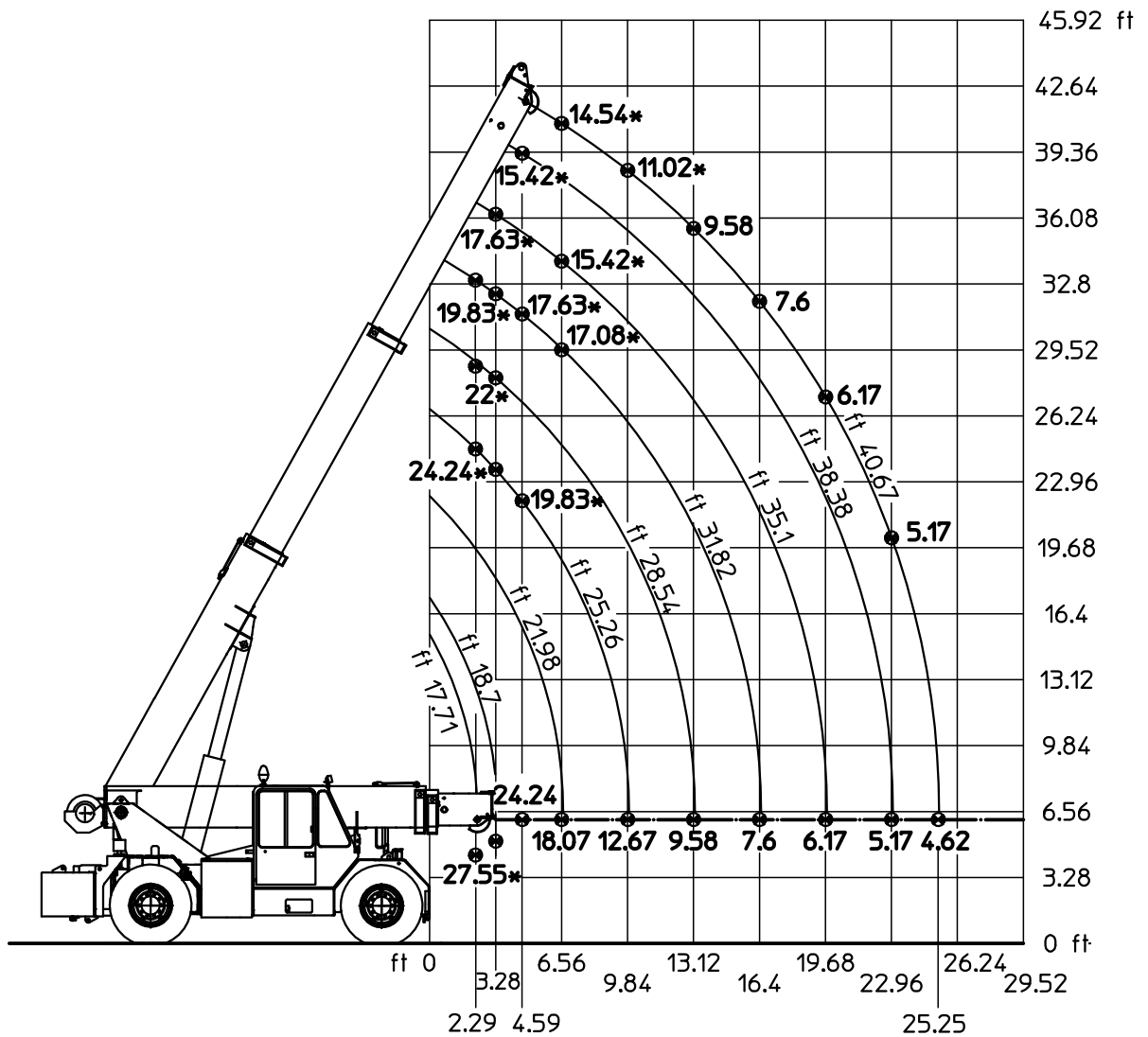


25tmE LIFTING CAPACITIES

EXTRA COUNTERWEIGHT

CAPACITIES sh tn	Nr ROPES
27.55 - 20.66	8
20.66	6

EN



Max allowed travelling speed without load 10 km/h

Capacities indicated with (*) are determined by structural factors and not by tipping load