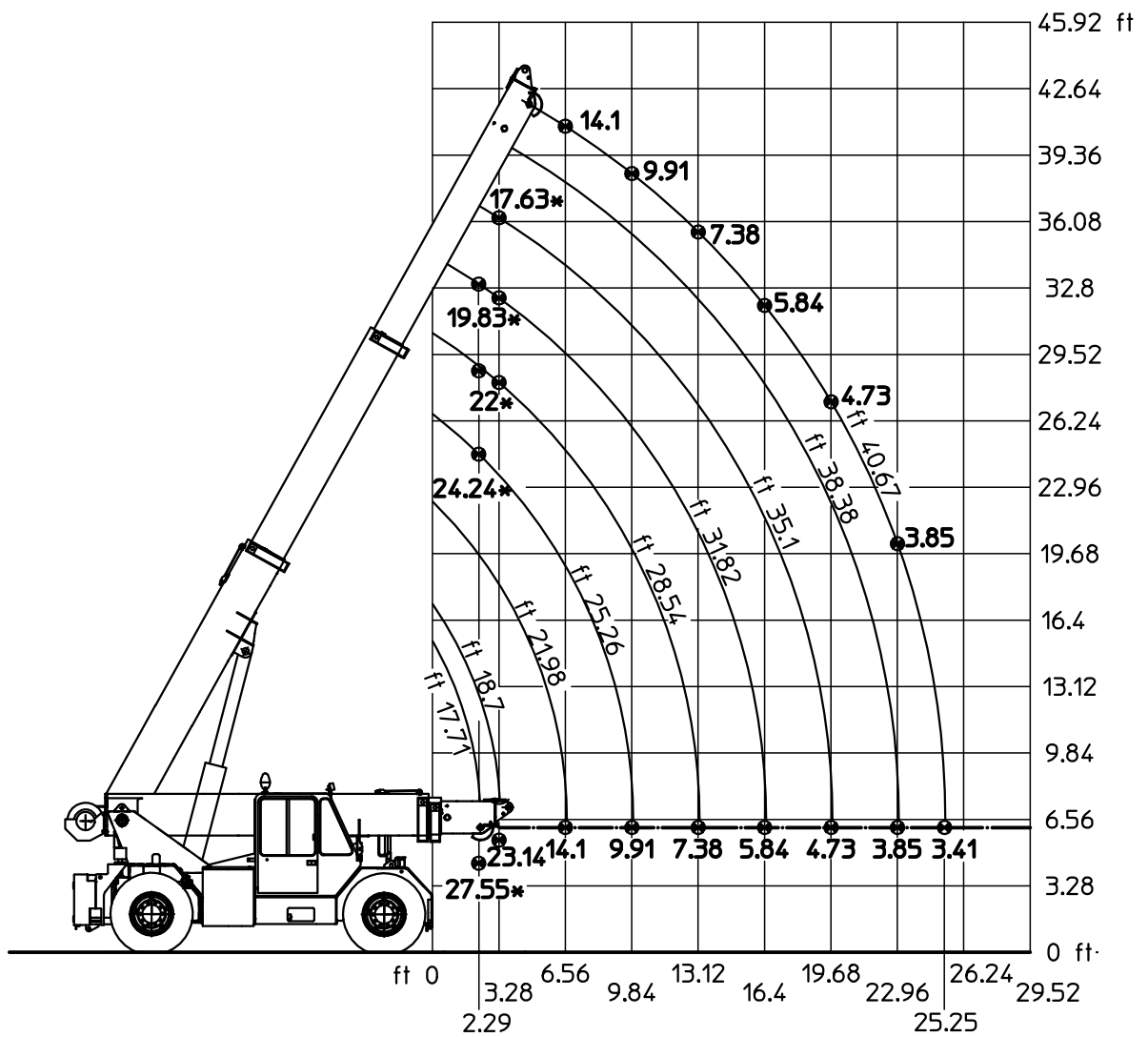


# 25tmE LIFTING CAPACITIES

CAPACITIES sh tn	Nr ROPES
27.55 - 20.66	8
20.66	6

EN



Capacities indicated with (\*) are determined by structural factors and not by tipping load