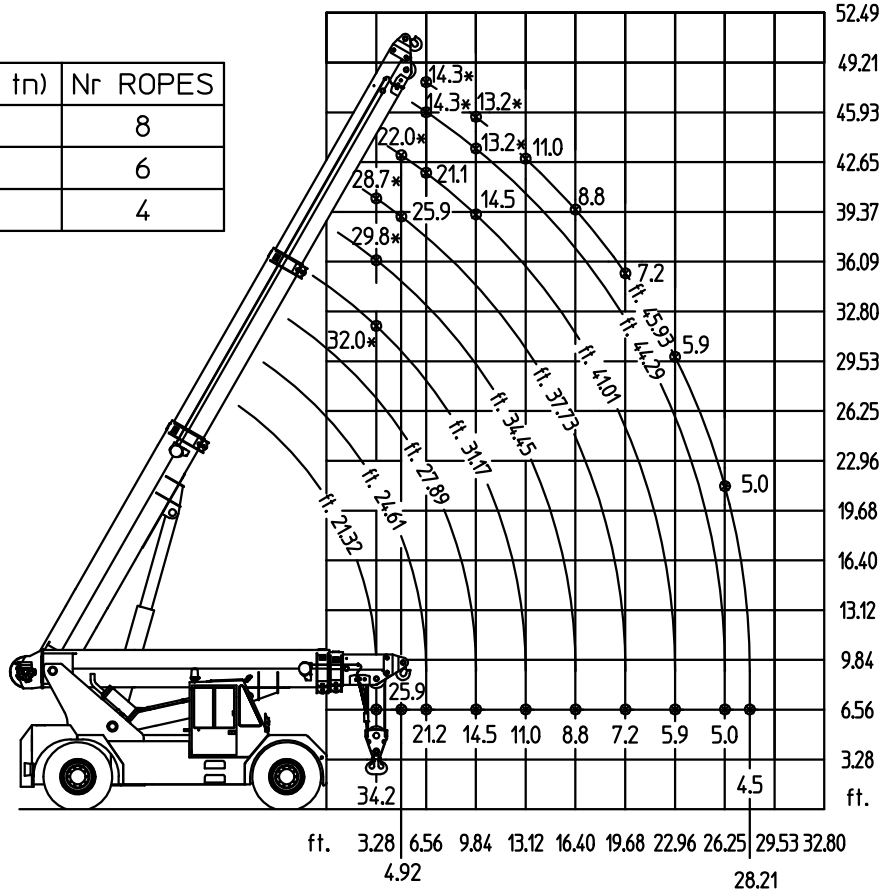


CAPACITIES (sh tn)	Nr ROPES
34.2 - 27.3	8
27.3 - 18.2	6
18.2 - 4.5	4

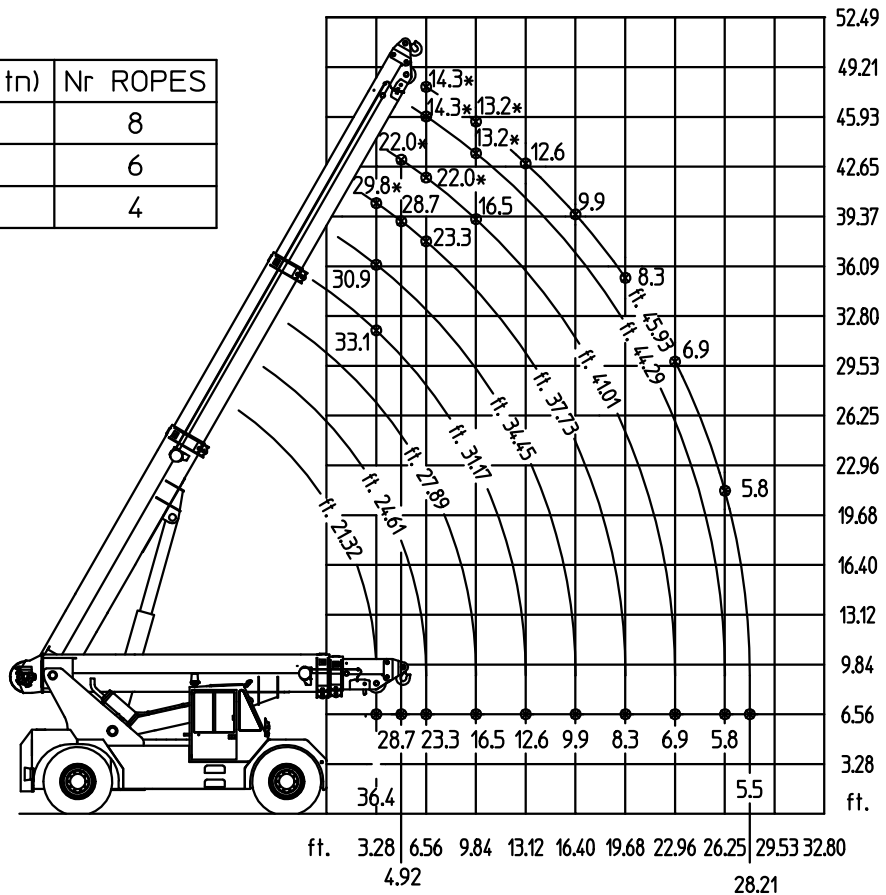
EN



HOISTING CAPACITIES - STANDARD COUNTERWEIGHT

CAPACITIES (sh tn)	Nr ROPES
36.4 - 27.3	8
27.3 - 18.2	6
18.2 - 5.5	4

EN



HOISTING CAPACITIES - AUXILIARY COUNTERWEIGHT

* Capacities determined by factors other than overturn