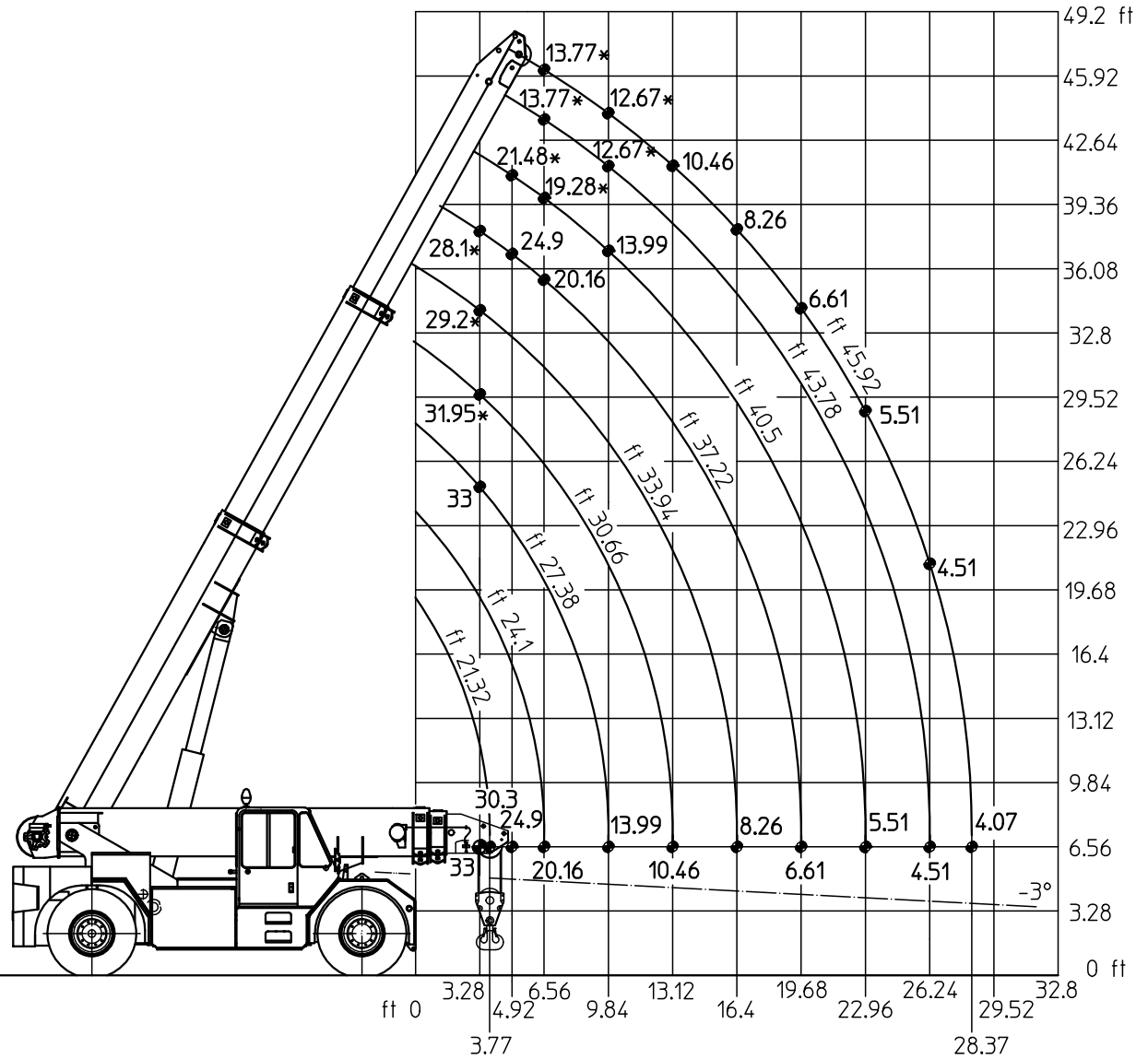


33tmE/l

HOISTING CAPACITIES - STANDARD COUNTERWEIGHT

CAPACITIES sh tn	Nr ROPES
33 - 27.3	8
27.3 - 18.1	6
18.1 - 4.07	4

EN



* Capacities determined by factors other than overturn