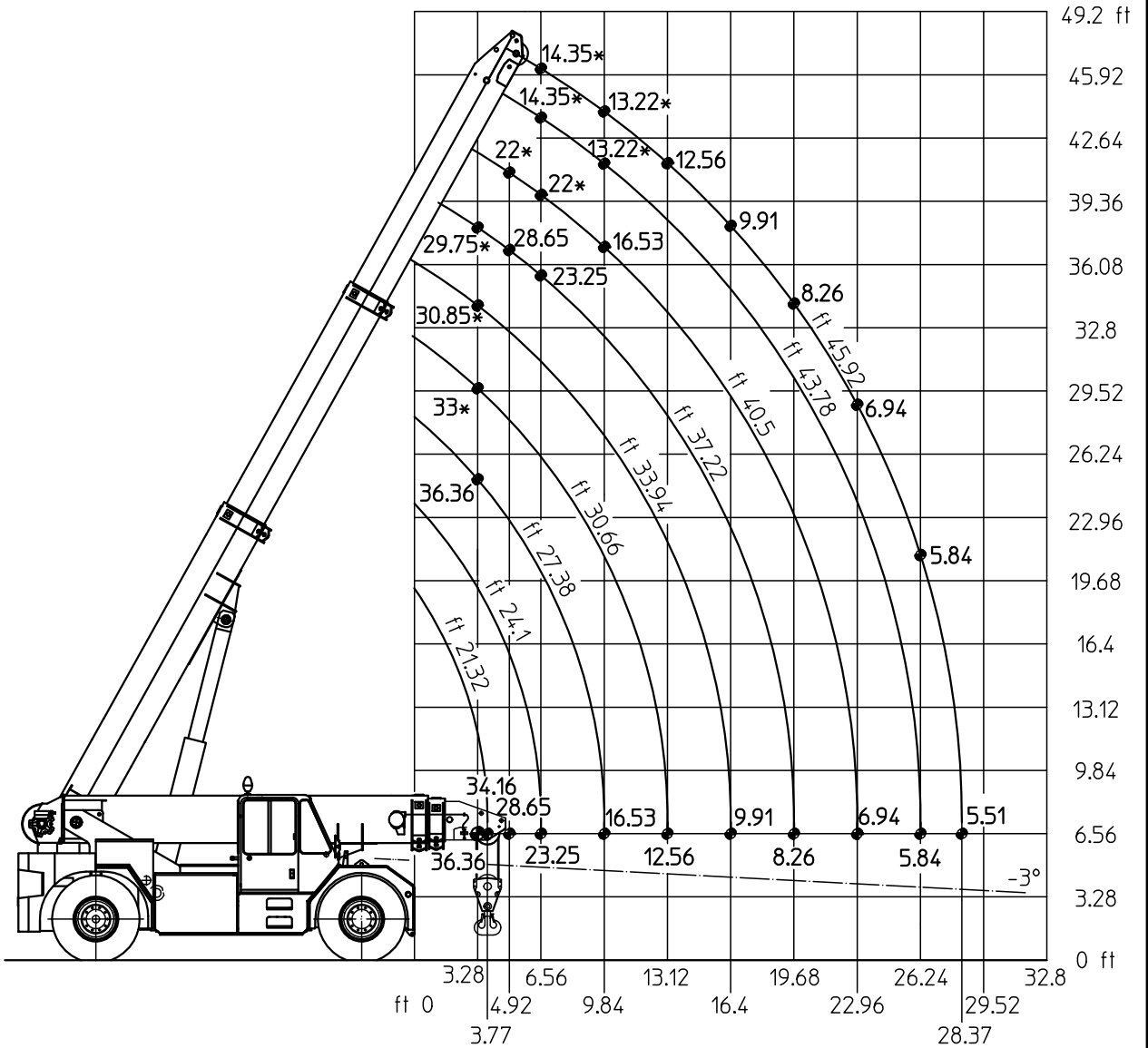


33tmE/l

HOISTING CAPACITIES - AUXILIARY COUNTERWEIGHT

CAPACITIES sh tn	Nr ROPES
36.36 - 27.3	8
27.3 - 18.1	6
18.1 - 5.51	4

EN



\* Capacities determined by factors other than overturn