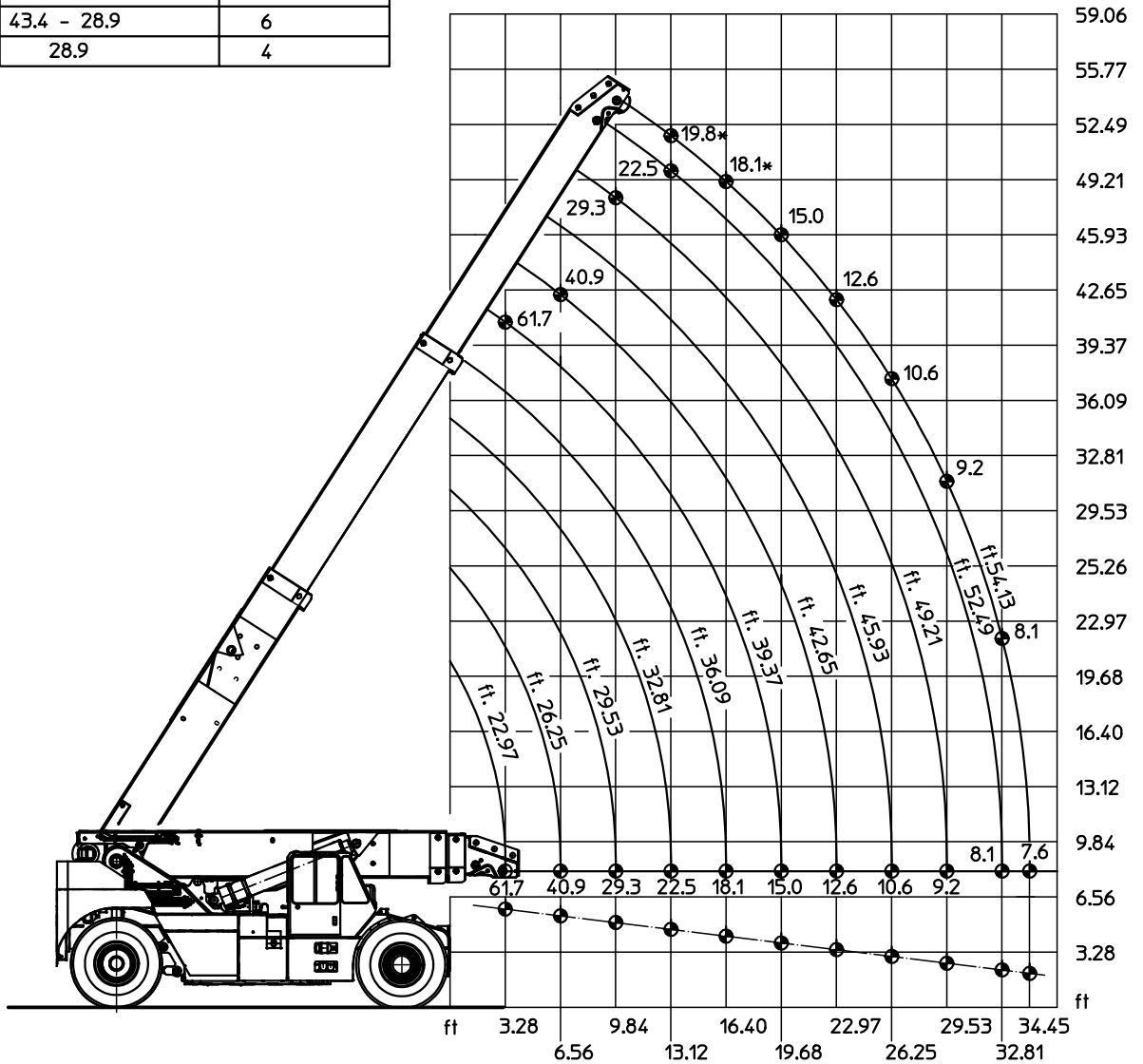


# 60tm HOISTING CAPACITIES

## FIX + AUXILIARY + TOP COUNTERWEIGHT

EN

CAPACITIES (sh tn)	ROPES NUMBER
66.1 - 57.9	10
57.9 - 43.4	8
43.4 - 28.9	6
28.9	4



\* Capacities determined by factors other than overturn