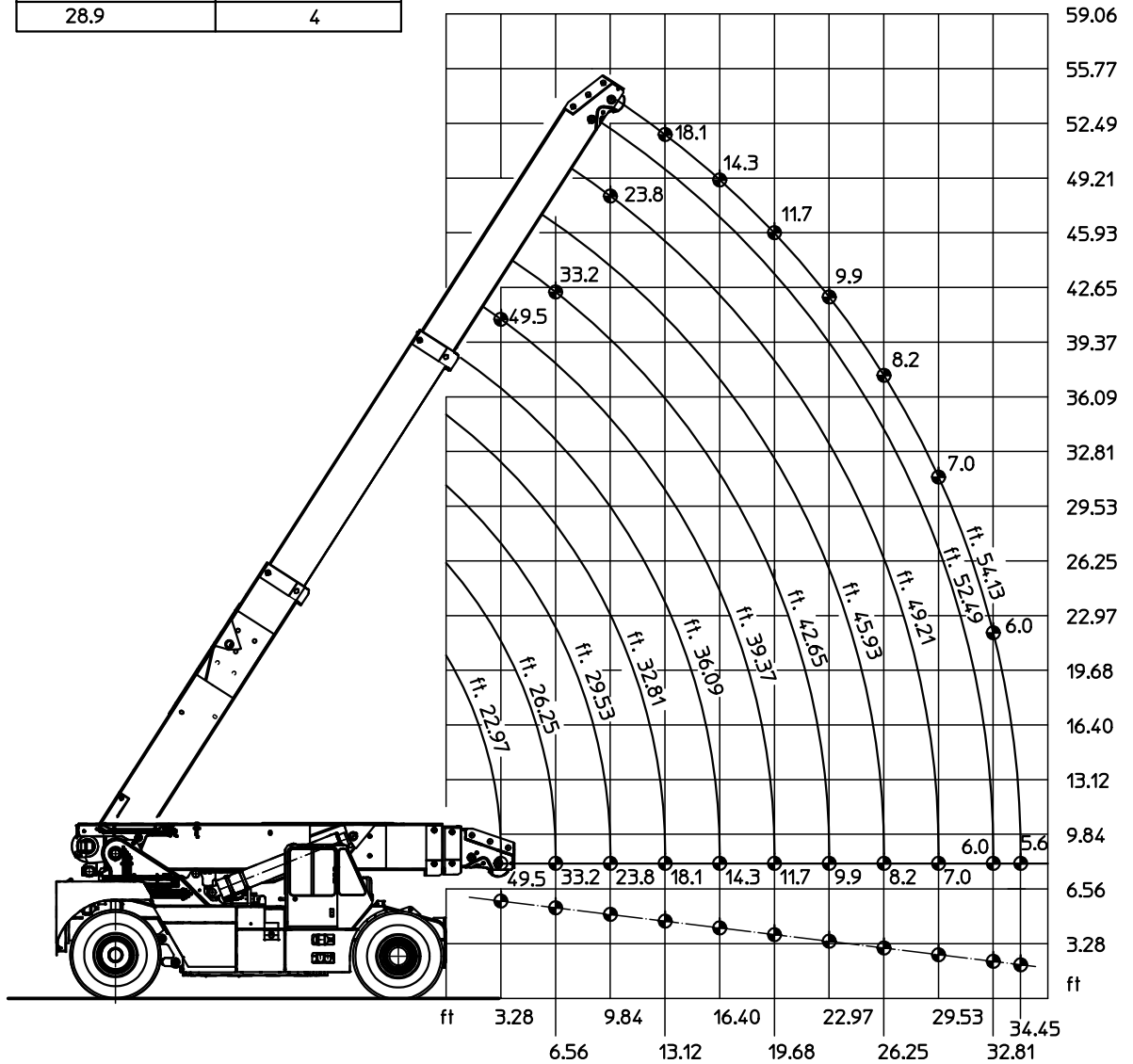


60tm HOISTING CAPACITIES

FIX + AUXILIARY COUNTERWEIGHT

EN

CAPACITIES (sh tn)	ROPES NUMBER
66.1-57.9	10
57.9-43.4	8
43.4-28.9	6
28.9	4



* Capacities determined by factors other than overturn